

THIS DRAWING IS UNPUBLISHED.

RELEASED FOR PUBLICATION

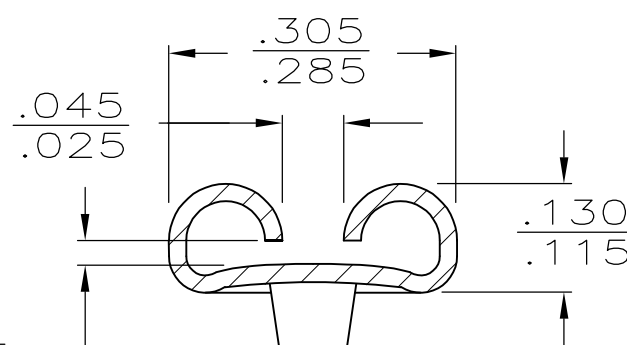
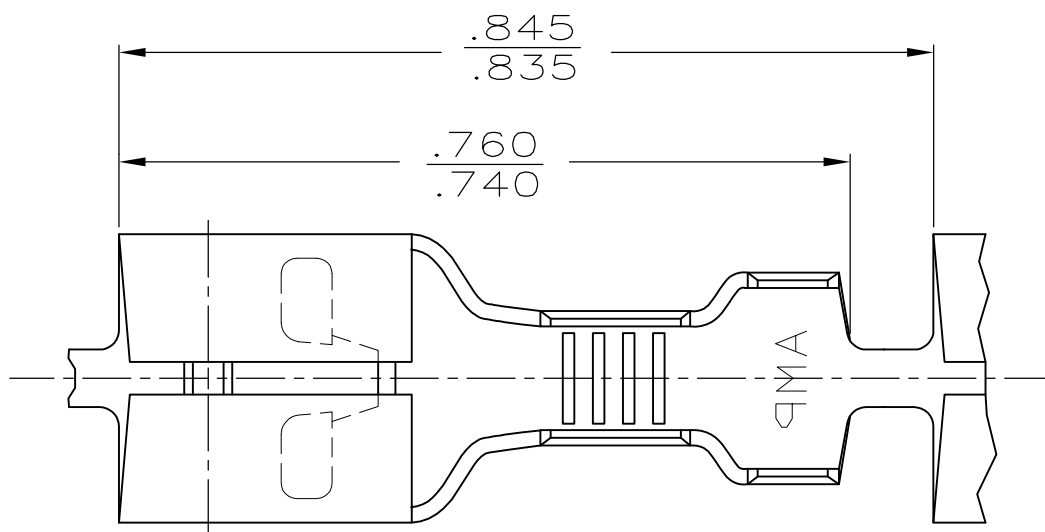
ALL RIGHTS RESERVED.

© COPYRIGHT - By -

LOC AF DIST 50

REVISIONS

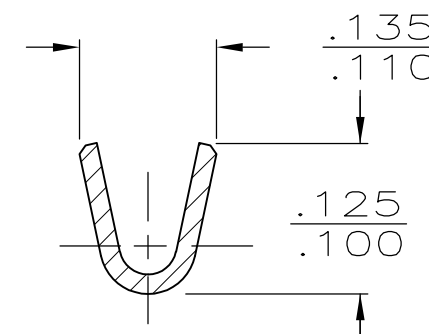
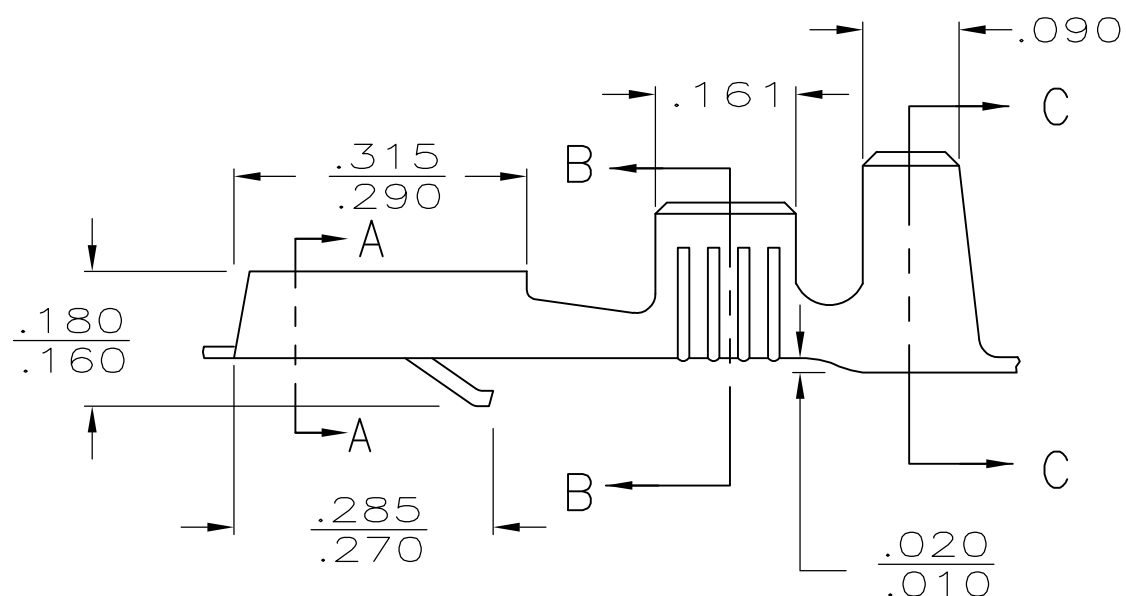
P	LTR	DESCRIPTION	DATE	DWN	APVD
	AD	REVISED PER ECO-15-016179	9NOV2015	HG	TD



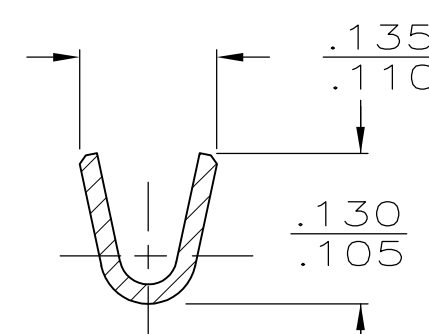
FITS .250 SERIES FASTON TAB

SECTION A-A

- 1 CONTINUOUS STRIP ON REELS.
- 2 REELED WITH INTERLEAVING PAPER.



SECTION B-B



SECTION C-C

TIN	.060-.100	22-18	.032 ±.001	△2 60413-3
-	.060-.100	22-18	.032 ±.001	60413-2
TIN	.060-.100	22-18	.032 ±.001	60413-1
FINISH	INSULATION RANGE	WIRE SIZE	TAB THK	PART NO.

THIS DRAWING IS A CONTROLLED DOCUMENT.		DWN JR RUTH 28APR86	STE TE Connectivity		
DIMENSIONS: INCHES		CHK M FEHER 30APR86			
TOLERANCES UNLESS OTHERWISE SPECIFIED:		APVD C MEYERS 15AUG86	NAME .250 SERIES FASTON - FASTON RECEPTACLE		
<ul style="list-style-type: none"> 0 PLC ± - 1 PLC ± - 2 PLC ± - 3 PLC ± .015 4 PLC ± - ANGLES ± - 		PRODUCT SPEC -	SIZE CAGE CODE DRAWING NO RESTRICTED TO		
MATERIAL BRASS		FINISH SEE ABOVE	A3 00779 C-60413		
		CUSTOMER DRAWING	SCALE 5:1	SHEET 1 OF 1	REV AD